

# Simple Counter | SpecTech

## Weights in Kg

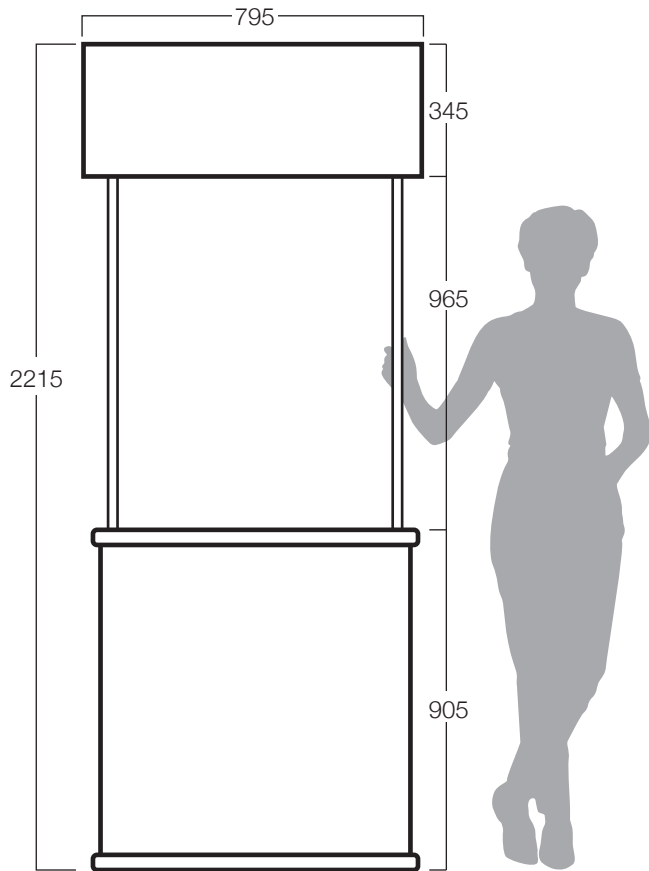
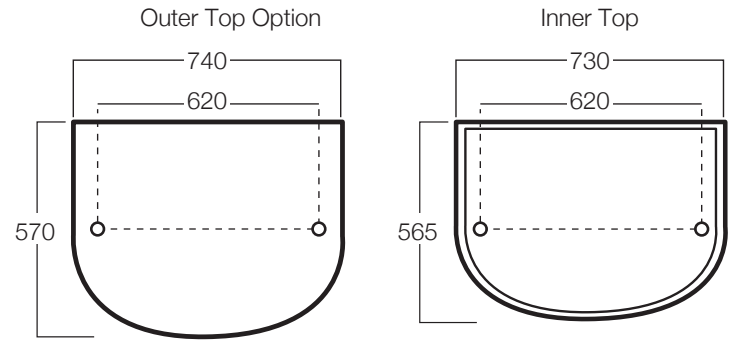
Outer Flat Top.....	1.10
Inner Top .....	1.06
Shelf.....	0.86
Bottom.....	1.06
Body Panel.....	4.45
Bag .....	1.04
Graphic Tube and Bag .....	0.65
Pole Set (four pieces) R .....	1.80
Header .....	0.73
Header with Graphic Rails .....	0.85

## Packaging in Kg

Individual reusable carton ..... 1.30  
 External size: 972(w) x 730(d) x 172mm(h)

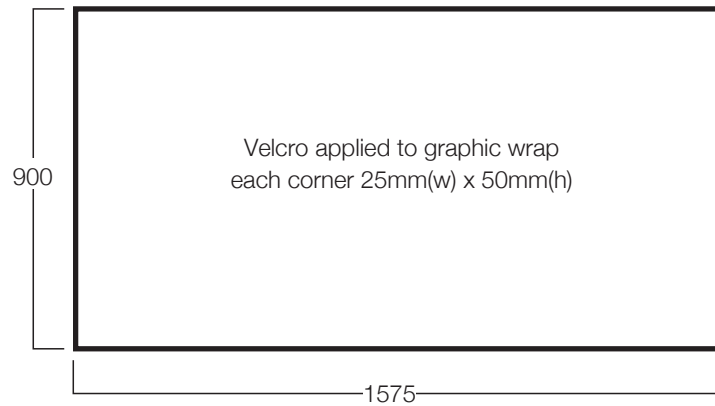
Overall graphic size: 1575(w) x 900mm(h)

We believe the best graphic to be used for this product is printed in CMYK onto self adhesive laminated file giving a total thickness off 425 Microns.



## Graphic Wrap

Allow 15mm for top to cover graphic



## Header Wrap Option with Graphic Rails

