

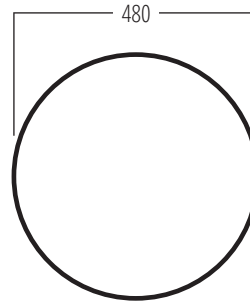
Comptoir Cylindrique | SpecTech

Weights in Kg

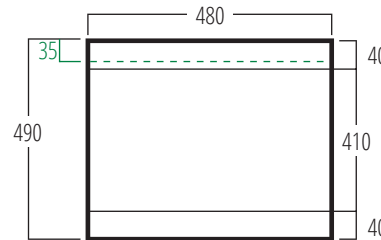
Top Cap.....	0.55
Inner Moulding.....	0.56
Bottom Moulding.....	0.56
Body Panel.....	1.78
Bag.....	1.04

Packaging in Kg

Individual reusable carton 1.88
 External size: 925(w) x 845(d) x 82mm(h)

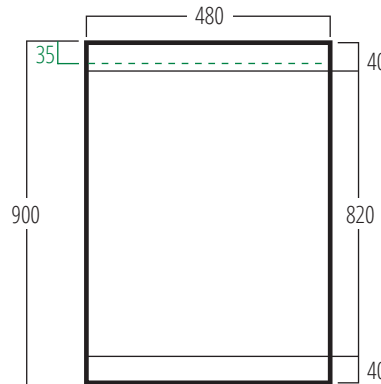


Top Cap



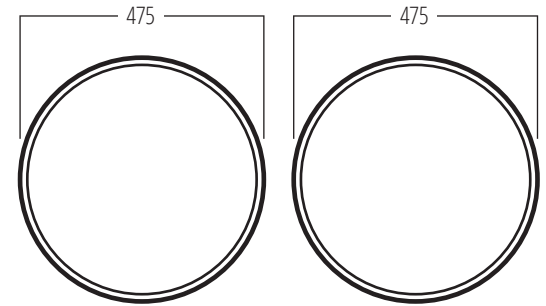
Small Unit

Once graphics are applied



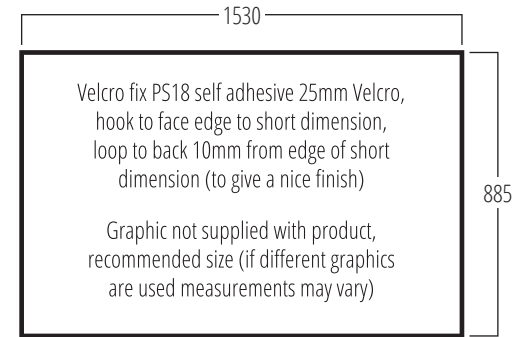
Large Unit

Once graphics are applied

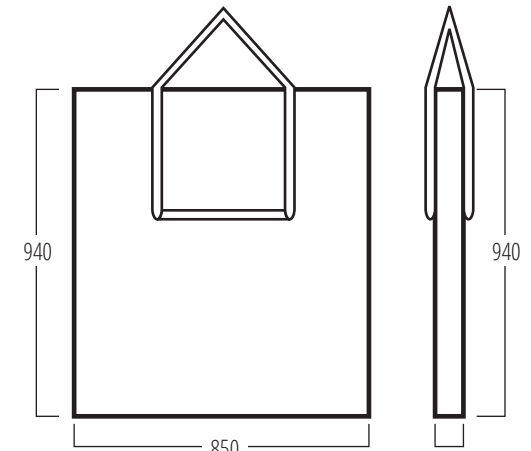


Bottom Moulding

Inner Moulding



Graphic Size 1495mm x 865mm



Carry Bag