

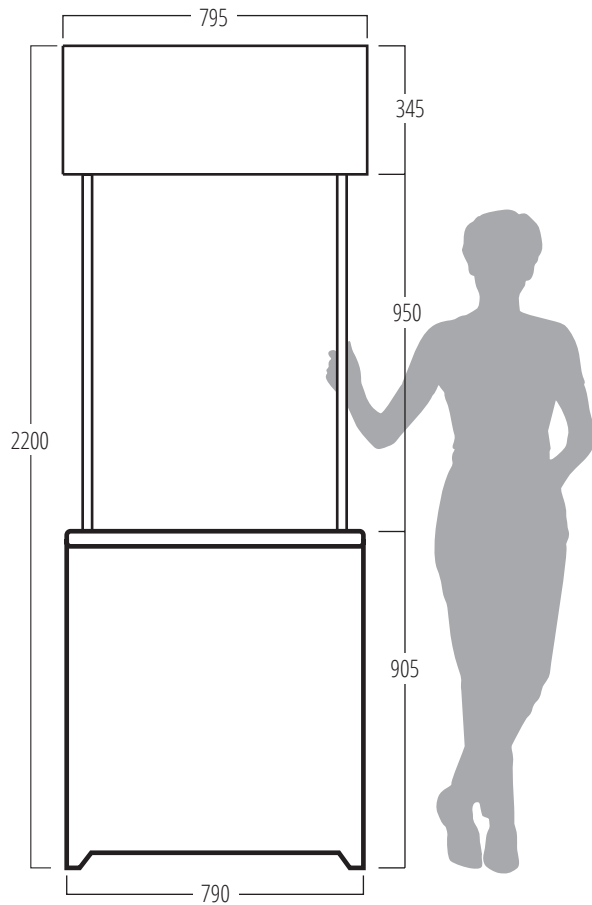
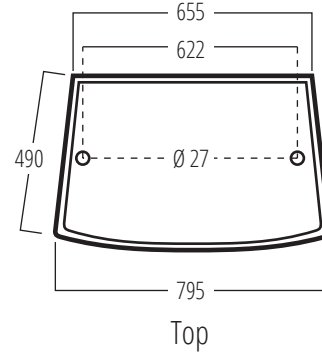
# Comptoir Dégustation | SpecTech

## Weights in Kg

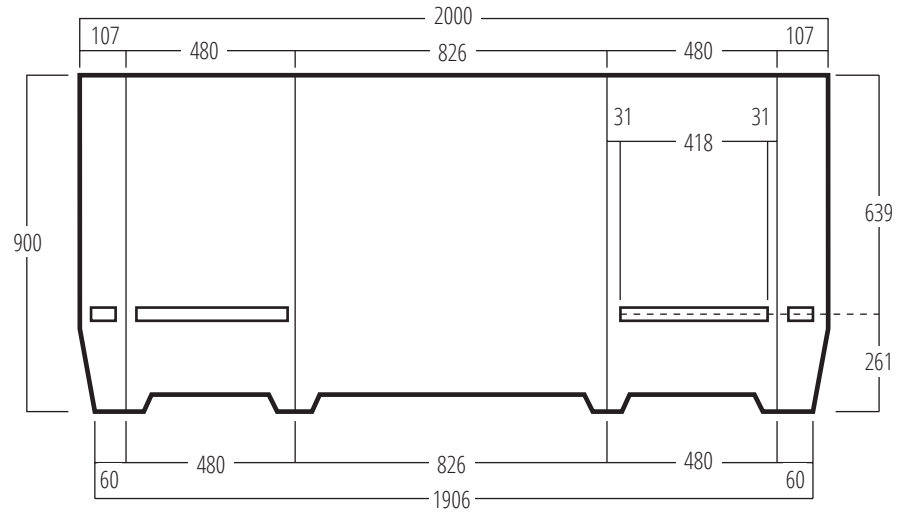
Rigid Top .....	1.52
Base Shelf .....	1.14
Body Panel .....	4.28
Pole Set (four pieces) L .....	2.00
Header .....	0.73
Bag .....	1.04

## Packaging in Kg

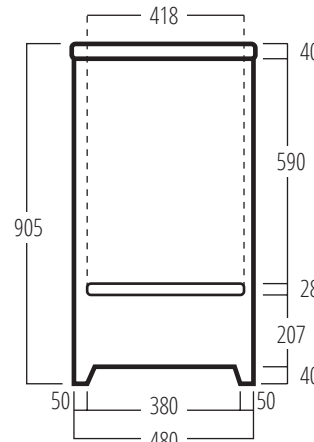
Individual reusable carton .....	1.88
External size: 925(w) x 845(d) x 82mm(h)	



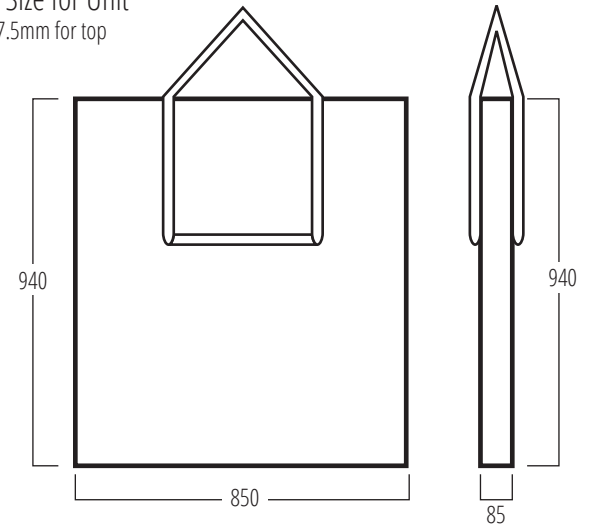
Unit and Header



Graphic Size for Unit  
Allow 37.5mm for top



Side



Carry Bag