

Finesse-2 Counter | SpecTech

Weights in Kg

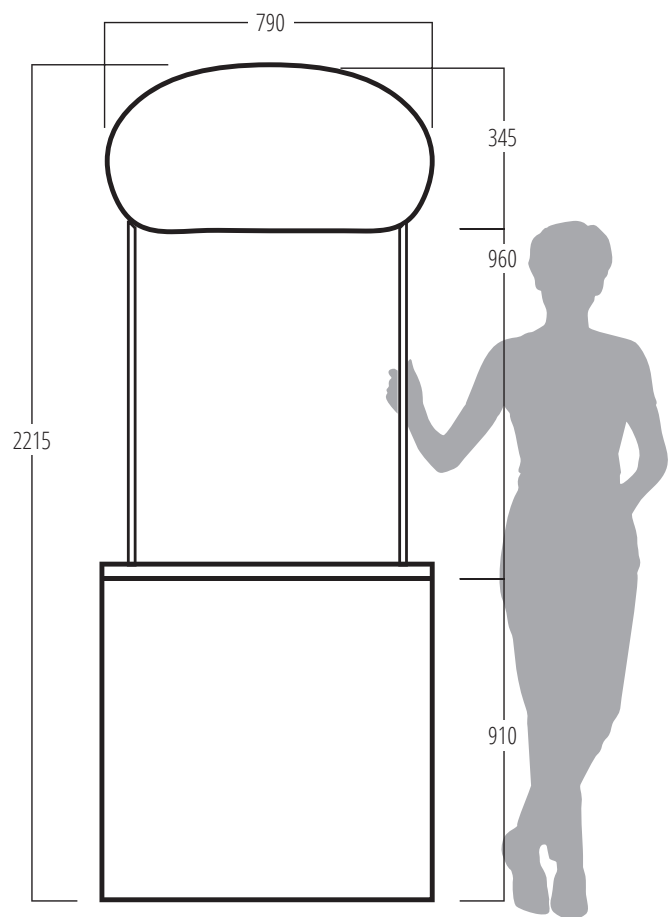
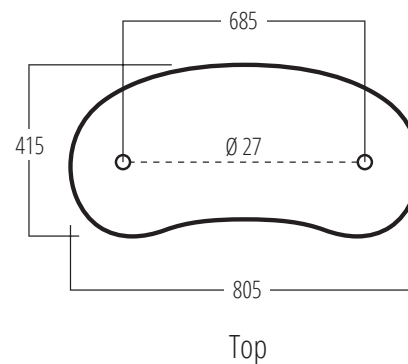
Outer Flat Top	1.15
Inner Top	0.90
Shelf.....	1.10
Bottom	0.90
Body Panel	2.42
Bag.....	1.10
Graphic Tube and Bag	0.68
Pole Set (four pieces) T	1.16
Header.....	0.51

Packaging in Kg

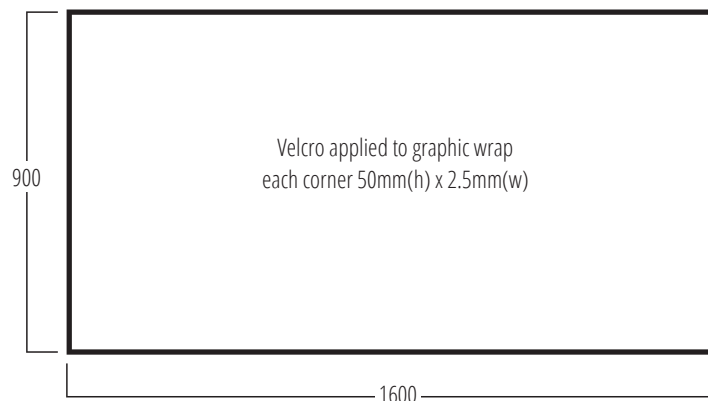
Individual reusable carton	1.30
External size: 1090(w) x 590(d) x 130mm(h)	

Overall graphic size: 1600(w) x 900mm(h)

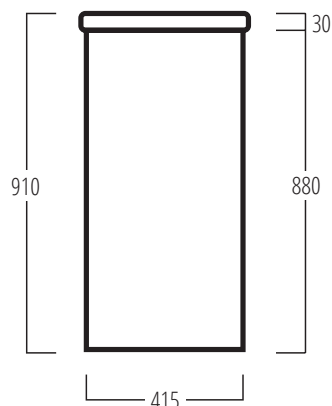
We believe the best graphic to be used for this product is a direct print to Nuroll satin material, plus a thick lamination C125 giving a total thickness of 425 Microns.



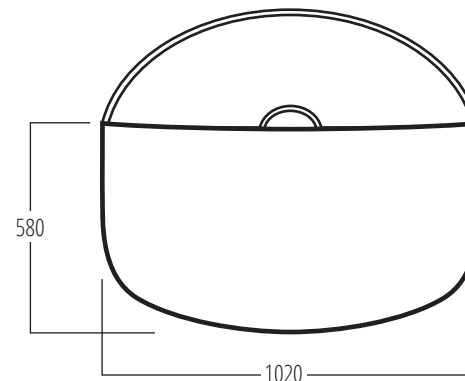
Unit and Header



Graphic Wrap
Allow 15mm for top to cover graphic



Side



Carry Bag

