

Comptoir simple | SpecTech

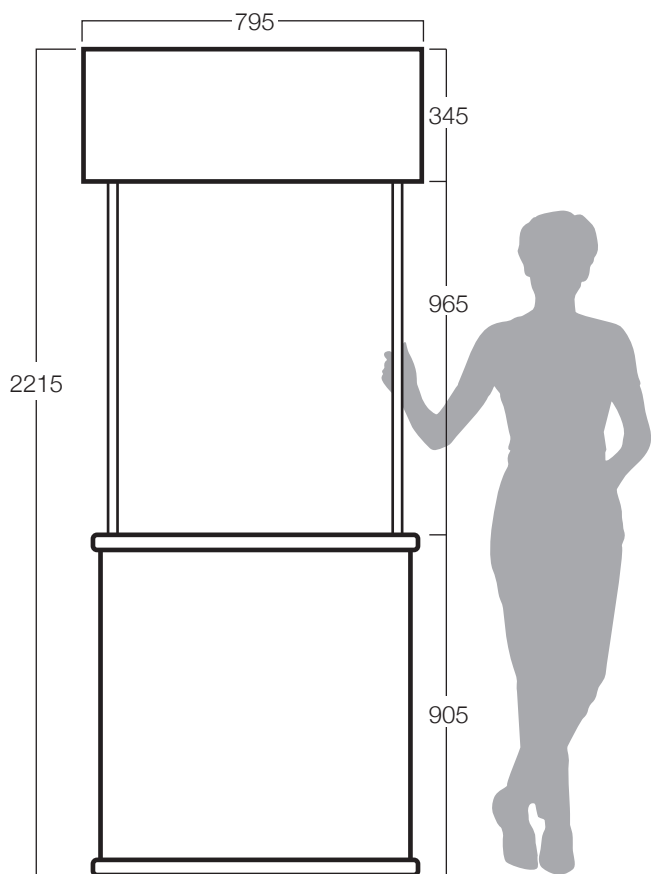
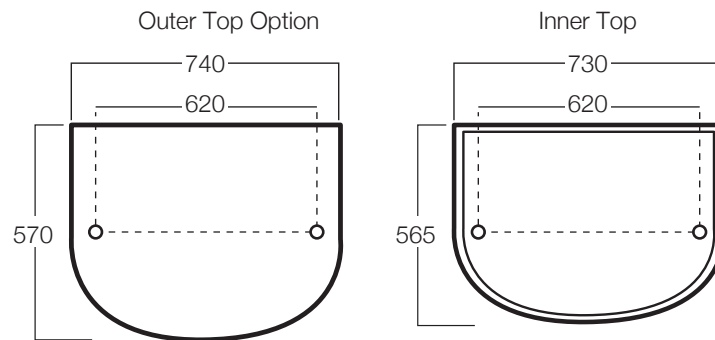
Weights in Kg

Outer Flat Top.....	1.10
Inner Top	1.06
Shelf.....	0.86
Bottom.....	1.06
Body Panel.....	4.45
Bag	1.04
Graphic Tube and Bag	0.65
Pole Set (four pieces) R	1.80
Header	0.73
Header with Graphic Rails	0.85

Packaging in Kg

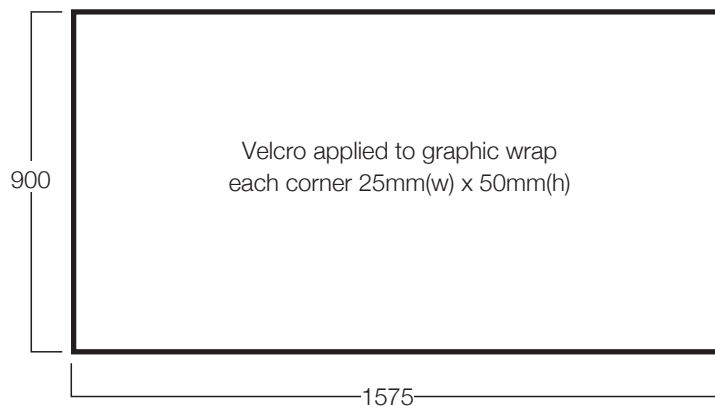
Individual reusable carton 1.30
 External size: 972(w) x 730(d) x 172mm(h)

Overall graphic size: 1575(w) x 900mm(h)
 We believe the best graphic to be used for this product is printed in CMYK onto self adhesive laminated file giving a total thickness off 425 Microns.



Graphic Wrap

Allow 15mm for top to cover graphic



Header Wrap Option with Graphic Rails

